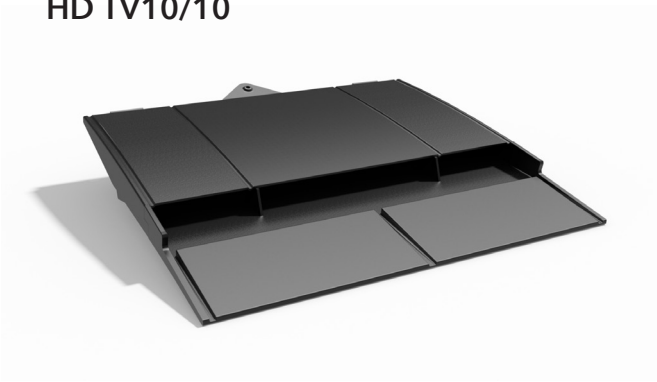


HD TV10/10

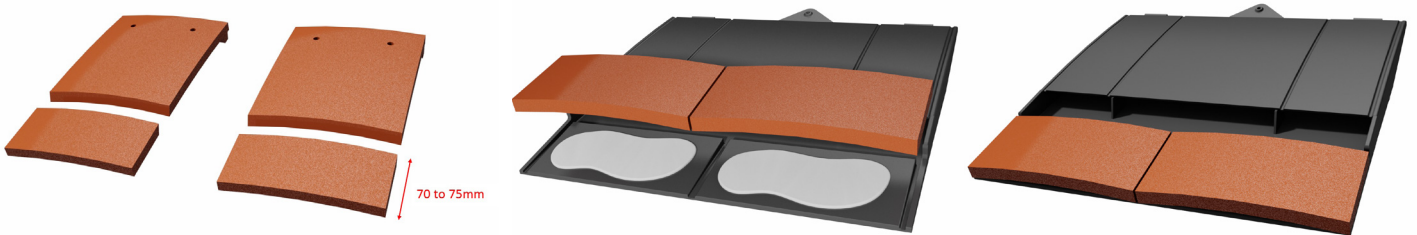


HD TV10/10 Installed



Installation Recommendations

Step 1



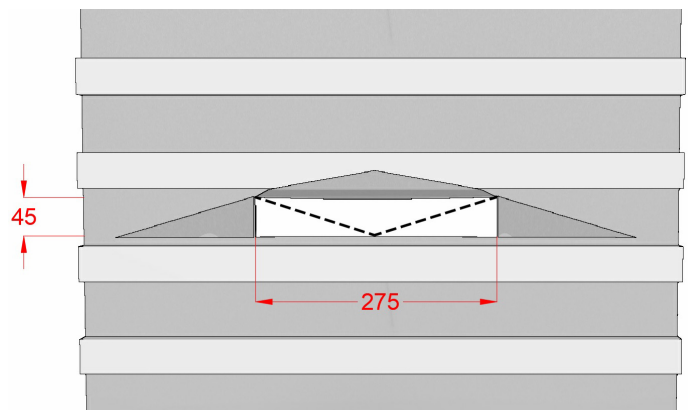
Cut two tiles 70 to 75mm from the bottom. Stick the tile pieces to the lower panels on the ventilator using a good quality external adhesive (Dow Corning 791), Evo-Stick Seriously Strong Stuff, Hodgson Silfix U9 or similar). Ensure sufficient adhesive is applied. Set aside to allow adequate bonding time as recommended by the adhesive manufacturer before installation.

Step 2



Once the position of the vent has been determined, mark and cut the underlay in a V-shape to the size shown.

For a fully boarded roof, a corresponding hole should also be cut in the sarking board.



Underlay cutting

It is important that the cut forms a snug fit to the ventilator to deflect and prevent water and debris penetration through the underlay.



Installation Recommendations

Step 3



The top and side underlay triangular shapes should be folded outward and underneath the ventilator. The top triangle should be tacked to the batten above.

Step 4



Position the ventilator with the spigot through the underlay cut and nail the ventilator to the batten through the hole in the top flange.

Step 5



With the ventilator in position, tiling can be completed, leaving a discreet flush fitting installation.

Soil Pipe and Extractor Connection



The ventilator must be accessed from the underside. Fit the Pipe Adaptor (code: HD DPCA) over the spigot on the underside of the ventilator ensuring the adaptor clips onto the spigot securely



The adaptor can be supplied alone or with the Flexi Pipe connector attached as a kit (code: HD DPCSPA).

Hambleside Danelaw Limited

Long March, Daventry, Northampton NN11 4NR
Tel: 01327 701900 | Email: techelp@hambleside-danelaw.co.uk
www.hambleside-danelaw.co.uk

HDTV10/10_TileVent_Installation_recommendationsVs1_Jan24

