

Installation Recommendations

Where the rafter is positioned next to the abutment wall, it is necessary to provide a timber bearer of appropriate width, flush with the top of the rafter along the inside face and for the full length of the rafter. These are required to support the ends of the slate or tile battens. If there is a gap between the rafter and abutment wall, noggins or bearer may be required to support the Conti-Soaker. A counter-batten 25mm thick and of at least 25mm wide set 55mm from the abutment should be provided. Lay the roofing underlay with 100mm minimum turned up against the abutment.

Using nails of acceptable quality; nail the battens and the counter batten through the underlay into the rafter and any other supporting timber work.

Where the Conti-Soaker is to discharge onto the main roof area, e.g. at dormer cheeks, a Code 4 welted lead or suitable lead replacement soaker may be required. Where the discharge is to be at the eaves, the fascia boards should be trimmed or notched to allow discharge directly into the gutter. Alternatively a lead or lead replacement soaker may be used. When using a soaker to discharge run-off over the fascia boards, it should be splayed out and welted to avoid risk of overflow at the edge.

When fitting the lipped Conti-Soakers, using the profile as a gauge, mark out and cut a chase 30mm deep into abutment to accommodate the lip. Care and consideration should be taken to ensure the suitability of the lipped version in respect of condition of any bricks that may require cutting. If any bricks are in poor condition, it is recommended that the unlipped Conti-Soaker is used with a separate stepped GRP flashing (HD UACF), lead or lead replacement cover flashing.

Starting at the bottom of the abutment detail, lay the Conti-Soaker against the abutment and nail through the outside edge, avoiding the water bars and channel, into each batten or at 500mm centres maximum. When joining lengths of Conti-Soaker, use the maximum lengths of overlap as follows;

Roof Pitch	Over 39°	30-39°	22.5-29°	Below 22.5°
Overlap	150mm	200mm	300mm	350mm

At the top or head of the abutment on a mono-pitched roof or where two lengths of Conti-Soaker are mitred at the apex of a roof, a minimum Code 4 lead or lead replacement type saddle should be used with the same overlap lengths as shown in the table.

The top flange of the lipped Conti-Soakers should be secured and sealed into the chase using lead wedges and a high quality external grade of sealant or mastic. When using the unlipped Conti-Soakers, a suitable cover flashing of GRP, lead or lead replacement flashing should be fitted in an approved manner to the abutment and dressed over the Conti-Soaker.

HDL CSS - When laying slates, they should be fitted in the normal manner leaving no more than a 50mm gap over the water channel. The use of double slates is recommended whenever necessary to avoid small cuts into the abutment.

HDL CST - When laying tiles, they should be bedded in mortar onto the bonding strip, taking care to avoid blocking the water channel under the tiles and leaving no more than a 50mm gap between the tiles and abutment. Clean out any surplus mortar from the main water channel. Pointing after the tiles have been laid is not recommended. It may be necessary in some instances to remove the nib of the tile over the Conti-Soaker to prevent the tile from kicking up. If plain tiles are being laid, the use of double tiles is recommended wherever necessary to avoid the small cuts into the abutment. Minimum roof pitch 17.5°.

HDL CSTC - Where flat tiles are to be laid dry fixed and secured with verge clips, the CSTC allows the installation of verge clips to be fixed without penetrating the water channels of the profile. A step and cover flashing onto the tiles should be provided to complete the installation.

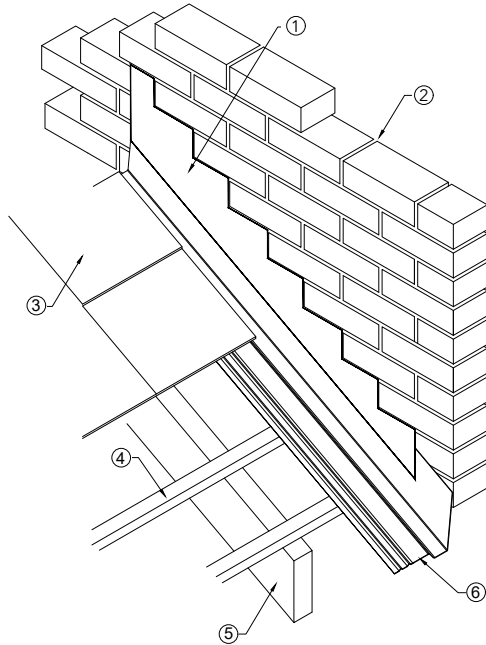
For typical installation details, please see over.

Note: The decision to leave an exposed water channel or gutter, as opposed to when the slates or tiles are close cut to the abutment, should be made with consideration to future maintenance.

For situations where the flow of rainwater may surcharge the secret gutter, or there is significant risk of blockage from leaves, pine needles, etc., a lead step and cover flashing over the channel and onto the slates or tiles is recommended to be used in conjunction with the unlipped Conti-Soaker.

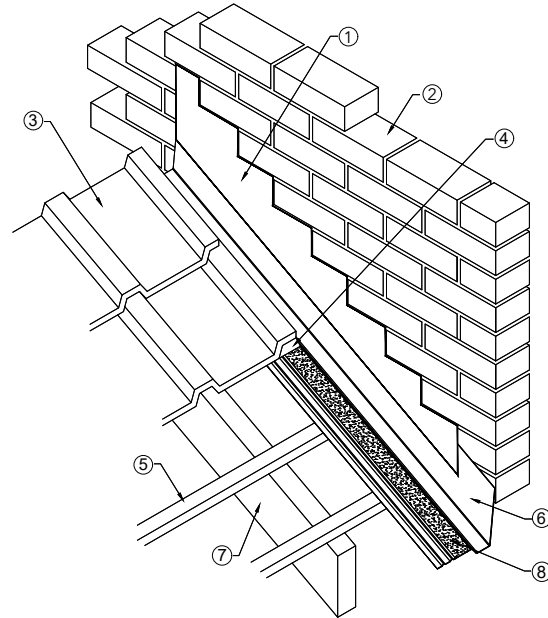
Typical Installation Details

HDL CSS



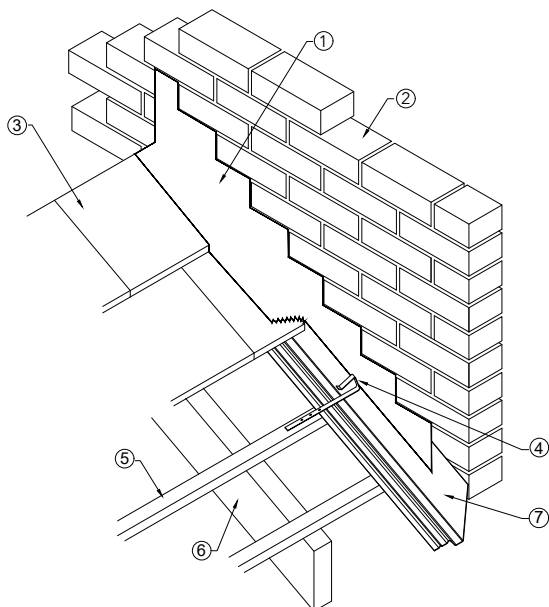
- ① Stepped or continuous flashing
- ② Abutment wall
- ③ Typical slate roof covering
- ④ Slating batten
- ⑤ Rafter
- ⑥ Continuous soaker for slates (unlipped version)

HDL CST



- ① Stepped or continuous cover flashing
- ② Abutment wall
- ③ Typical tile roof covering
- ④ Mortar bed
- ⑤ Tile batten
- ⑥ Continuous soaker for tile (unlipped version)
- ⑦ Rafter
- ⑧ Mortar bonding strip

HDL CSTC



- ① Step and cover flashing
- ② Abutment wall
- ③ Typical tile roof covering
- ④ Verge clip
- ⑤ Tile batten
- ⑥ Rafter
- ⑦ Continuous soaker for tile (no lipped version)

