

Installation Recommendations

1. The HDL DV9 is designed primarily as a refurbishment system but can also be used on new build if required, and where the slates are fixed directly to the sark boarded roof, in typical Scottish slating practice.

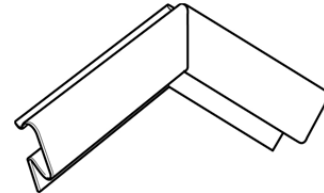
When used on refurbishment work it is recommended that any loose or defective brickwork or mortar is removed or made good prior to fitting to avoid future blockages.

2. The Dry Verge can either be fixed directly to the brickwork using plugs and anti-corrosive screws of an acceptable quality, or onto an adequately secured timber batten or barge-board and the verge nailed directly through at 500mm centres maximum. The roofing underlay should be trimmed into the channel of the verge profile.

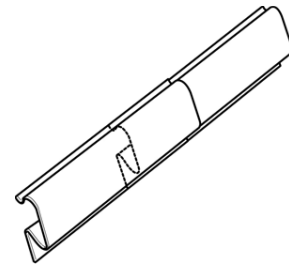
3. Commence fitting the verge from ridge to eaves (into the brickwork or timber). It is essential to interlock the upper section into that of the next lower section allowing approximately 150mm overlap for in-line joints.

4. To further enhance the appearance of the HDL DV9 system, an optional section of architectural moulding covering may be fitted to conceal the verge fixing flange.

Ridge Joints: The verges are cut with a vertical mitre and butt jointed. A lead or lead replacement saddle may be fitted under or over the joint if required. The ridge tile should be trimmed if necessary to suit, or a block end ridge tile used.

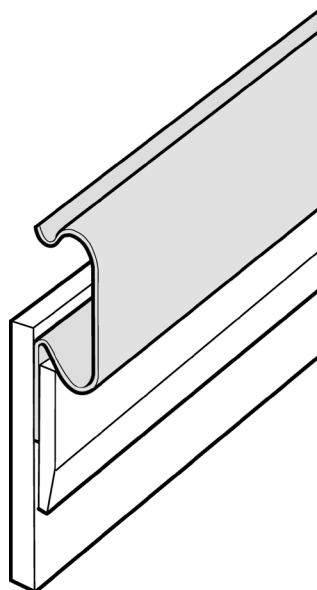
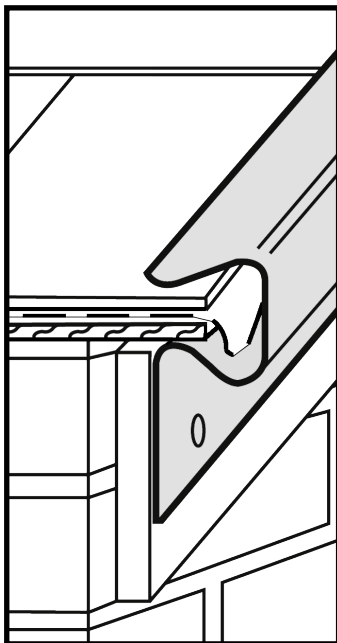


Verge Joints: Where the joints in the verge are required along the edge of the roof, they should be overlapped with the lower section fitted over/around the upper section.



Typical Installation Detail

Typical Cover Moulding



Sprocket Joints: Slight or gentle sprockets can easily be accommodated by cutting the lower section to a slight rake and fitting over the main verge section.

