

Installation Recommendations

When the position of the tile ventilator has been selected, the underlay should be cut diagonally to a rectangle of 170mm x 30mm. [Fig. 2a] The top and side triangular shapes should be folded outwards and underneath the ventilator. Where possible the top triangle should be tacked to the batten above. It is important that the cuts form a snug fit to the ventilator to deflect and prevent water and debris penetration through the underlay. For a fully boarded roof a corresponding hole should be cut in the sark board.

If the HD TV10/5 is required to ventilate soil pipes, an adapter kit (HD PCSPA) is available which is fitted to two vents side by side prior to installation on the roof. [Fig.1]

The underlay should be cut diagonally to a rectangle of 340mm x 35mm, folded and tacked to the top batten in the same matter. [Fig. 2b] The soil pipe adapter unit is secured from within the roof space through the underlay and into the battens using suitable screws.

When using the ventilator in a fully boarded roof application it is recommended that extension spigots ES10/5 are fitted to the vents to ensure effective roof space ventilation. These extension spigots should also be used when using the soil pipe adapter kit, which should be secured to the underside of the sark board.

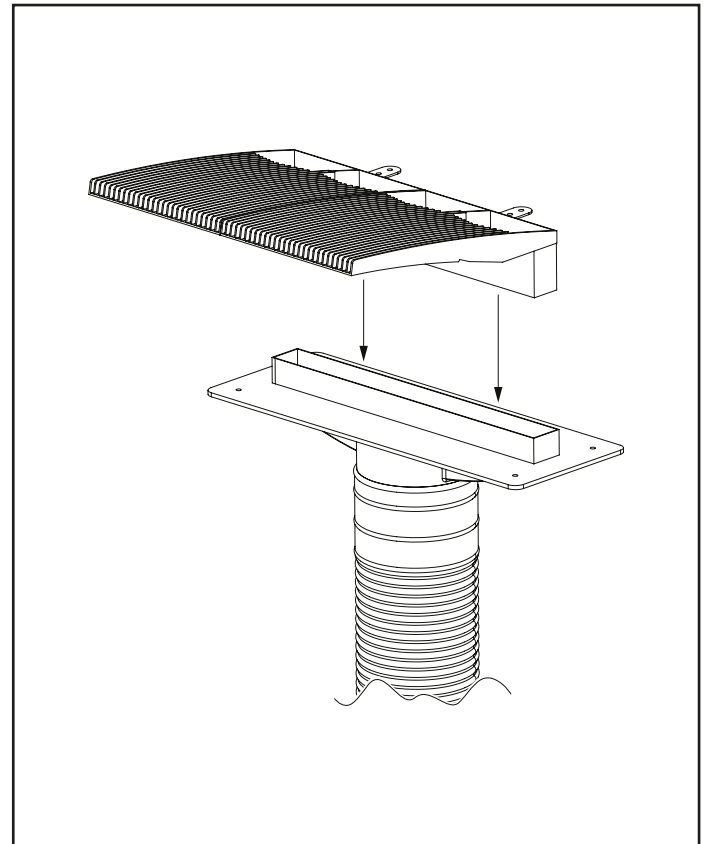


Fig. 1

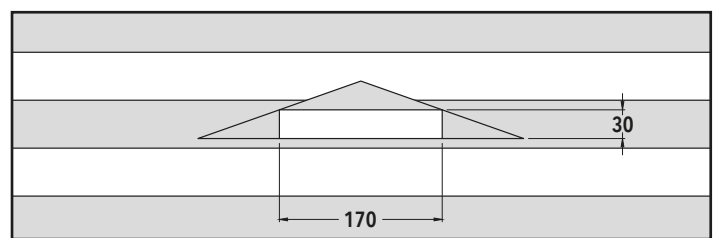
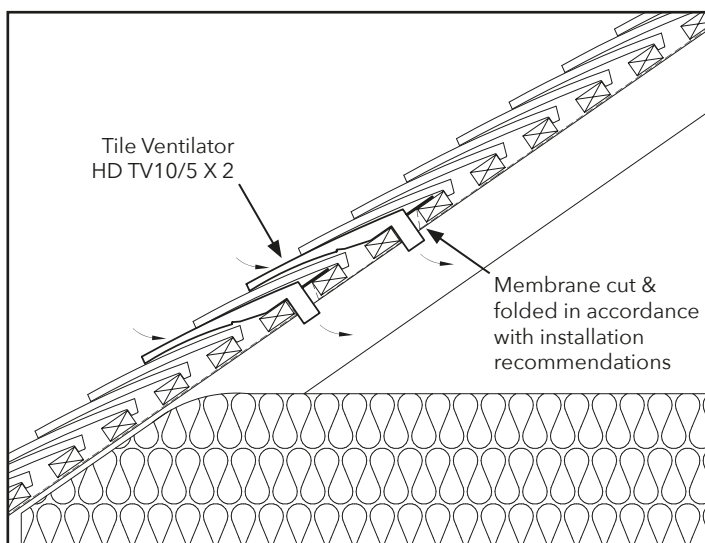


Fig. 2a

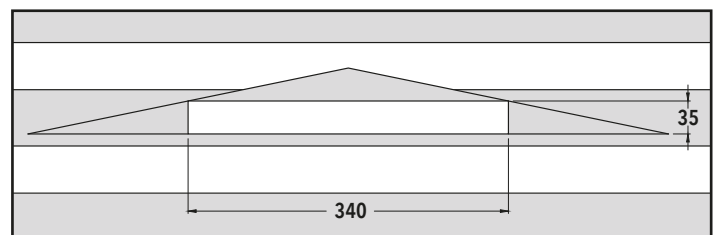


Fig. 2b

