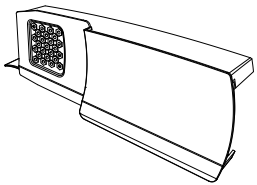
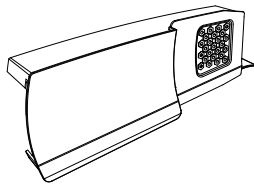


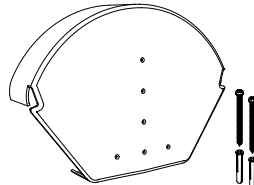
MiniVerg® Interlocking Plain Tile Dry Verg Components



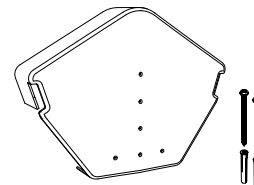
Dry Verg Unit
(Code: HD IPTDV/L)
10 per pack



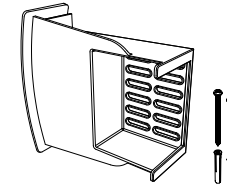
Dry Verg Unit
(Code: HD IPTDV/R)
10 per pack



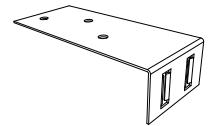
Half Round End Cap
(Code: HD IPTDV/HR)
2 per pack



Angle Ridge End Cap
(Code: HD IPTDV/AR)
2 per pack

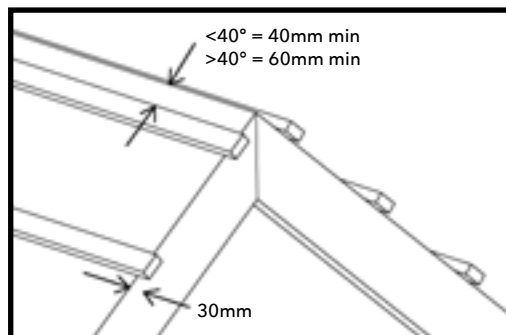


Starter Unit Kit
(Code: HD IPTDV/ST)
2 per pack

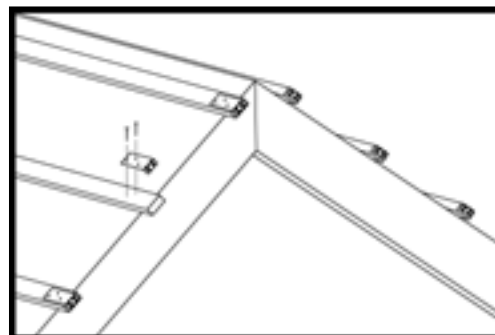


Batten End Clip
(Code: HD IPTDV/BC)
10 per pack

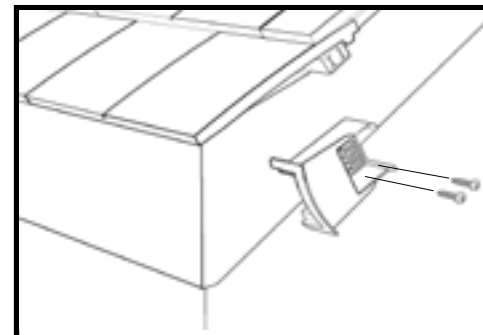
Installation Recommendations



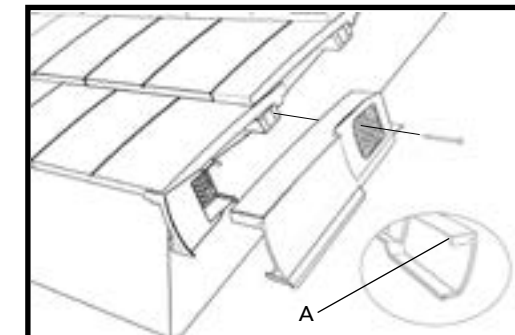
1. The tile battens should be fixed as required with a 35mm overhang beyond the face of the masonry or barge board creating a gap of 5mm or so between the verge unit and the wall or barge board. The distance between the apex and the top batten should not exceed 80mm. The underlay should be trimmed to extend 5mm beyond the ends of the battens.



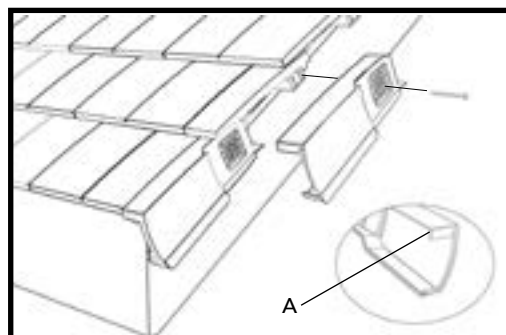
2. It is recommended that batten end clips (code: HD IDV/BC) should be used at the batten ends to provide long term secure fixing and wind load resistance to comply with BS 8612. One clip should be nailed twice to the top of each batten with the short flange in contact with the batten end. Alternatively a suitable anti-corrosive screw may be used.



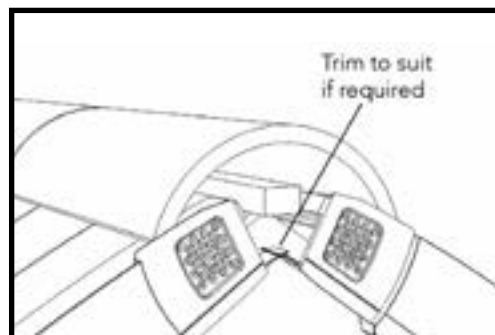
3. The verge starter unit should be fixed securely at the eaves through the slots using the 2 x 25mm flange head screws provided into the barge board or masonry. The starter unit is most easily marked for position by fitting to a verge unit and placing the verge unit onto the eaves tile. (code: HD IPTDV/ST)



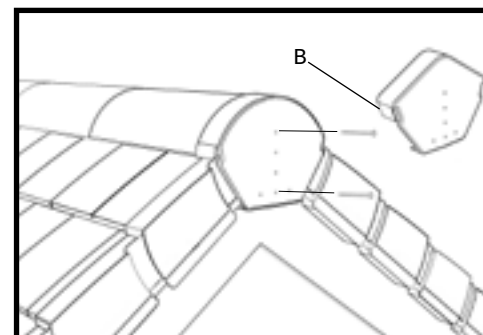
4. Next, clip the first verge unit on to the starter unit; this will require the tab on the first verge unit to be trimmed off at cut line A. Once securely clipped, the verge unit can then be nailed or screwed through one of the holes provided into the batten end. Where the batten end clip is used, the nail should penetrate one of the slots provided.



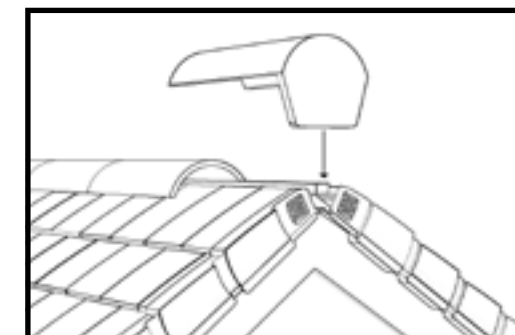
5. Subsequent units are fitted in the same way, clipping each verge unit over the previously fixed unit up to the ridge ensuring that each verge unit is pushed up-slope to fit snugly onto the tile. A small gap of a few millimetres should be maintained between the underside of the dry verge units and the masonry or barge board. When fitting the verge to Forticrete Gemini or Minislate tiles, the tab may be trimmed at A to improve the appearance if required.



6. When installing at steeper roof pitches, the underside verge closure tabs may require trimming to avoid interference.



7. The half-round ridge end cap (code: HD IPTDV/HR) or universal angle ridge end cap (code: HD IPTDV/AR) should be fitted to the ridge tile, interlocking with the verge units and then fixed into the barge board or masonry through the blind holes using the two 65mm screws provided. Extra fixings may be required to secure ridge cap when used on steep roof pitches. For shallow angle ridge tiles, the angle ridge end cap incorporates snap-out tabs (B) for an improved fit.



8. Alternatively, a block end ridge tile may be used to complete the installation, fitted in accordance with the tile manufacturer's recommendations. For roof pitches above 50° a block end ridge tile should be used.