

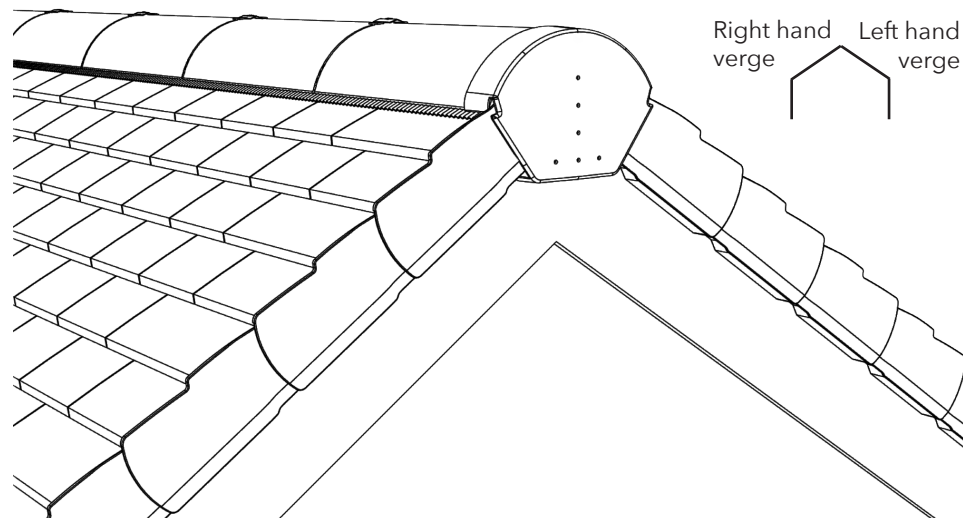
PLAIN TILE INTERLOCKING DRY VERGE SYSTEM

CODE: HD INVERG

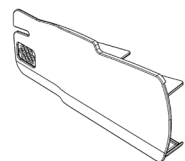
Suitable for most machine-made single and double cambered concrete and clay plain tile types.

Batten gauge: 88mm to 104mm

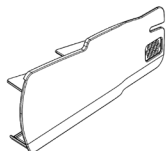
Installation Recommendations



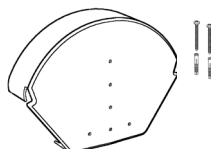
Plain Tile Interlocking Dry Verge Components



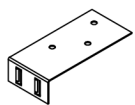
Dry Verge Unit
(Code: HD INVERG/LH)
10 per pack



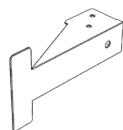
Dry Verge Unit
(Code: HD INVERG/RH)
10 per pack



Half Round End Cap
(Code: HD IPTDV/HR)
2 per pack



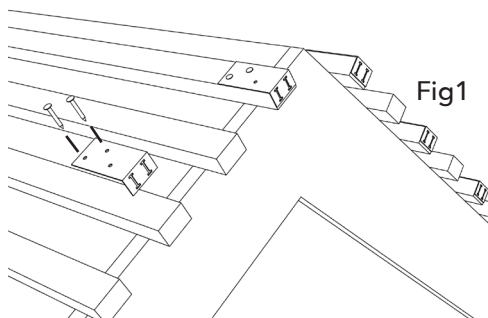
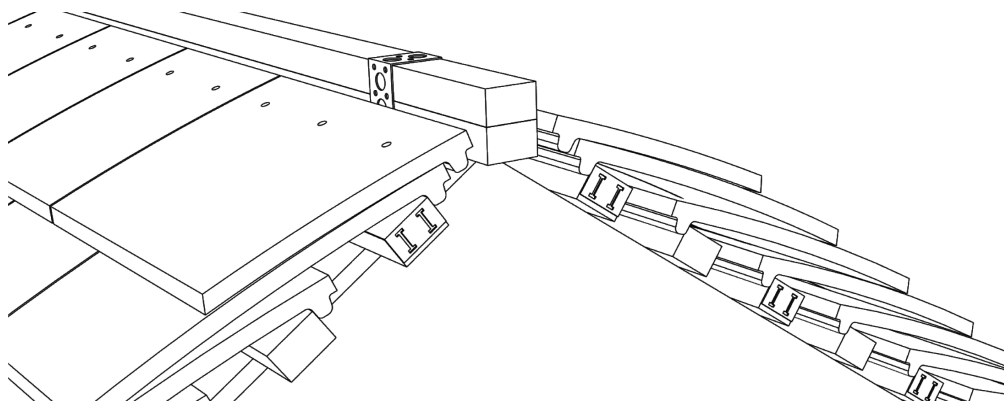
Batten End Clip
(Code: HD IDV/BC)
10 per pack



Eaves Bracket
(Code: HD INVERG/EB)
2 per pack

General Arrangement Prior To Installation

To maintain sufficient tile headlap, the top eaves tile course should be installed on the top full tile course in accordance with tile manufacturers recommendations. The height of the fascia board including any vent strips, eaves trays etc. should be set at the height recommended by the tile manufacturer.



1. The battens should be set out and fixed with the ends cut square and a minimum of 35mm overhang beyond the masonry or barge board. The roofing underlay should be trimmed to coincide with the battens ends.

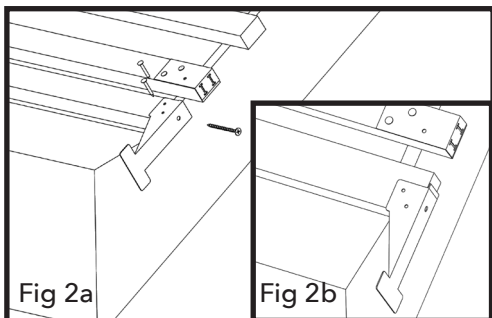
Batten end clips (code: HD IDV/BC) should be used for long term secure fixing of the verge units and comply with the requirements of BS 8612, the Standard for dry fixed verge systems. Alternatively, a suitable corrosion resistant screw may be used into the batten end grain.

One clip should be nailed twice to the top of each batten with the short flange in contact with the batten end [Fig 1]. Where any batten end clip coincides with a tile nail hole, it may be drilled to allow nailing into the batten.

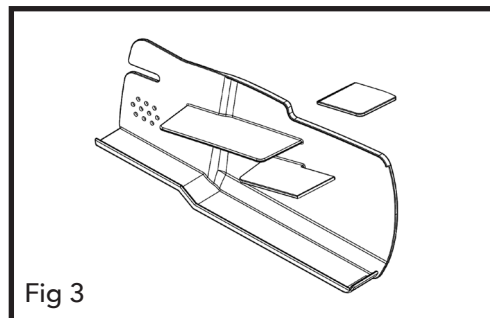
Hambleside Danelaw Limited

Long March, Daventry, Northampton NN11 4NR
Tel: 01327 701900 | Email: techelp@hambleside-danelaw.co.uk | www.hambleside-danelaw.co.uk
HD_INVERG_Installation_Recommendations_Jan20

Installation Recommendations

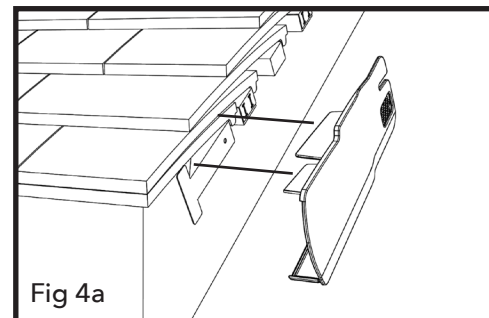


2. At the eaves, fix the Eaves Bracket (code: HD INVERG/EB) onto the end of the first batten by twice nailing into the top of the batten, or by using a suitable corrosion resistant screw into the end of the batten [Fig 2a]. Install the roof tiles as required and fix in accordance with BS 5534, the code of practice for slating and tiling. It is recommended that any gap below the eaves tile course and wall or barge board be filled to prevent access to nesting insects, animals or birds.



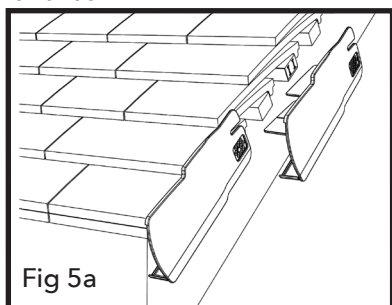
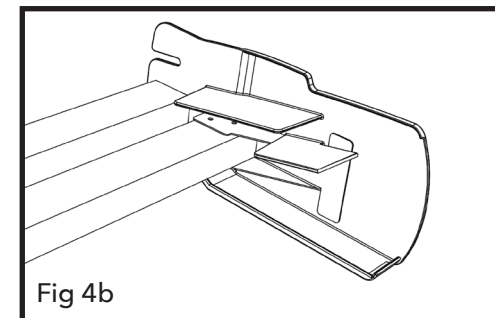
Note: When using clay tiles with a longer hanging length such as Rosemary, Acme etc, a 50mm x 25mm eaves course batten should be used to allow the Eaves Bracket to be fixed approx. 20mm closer to the eaves. The short bracket flange should be bent straight to accommodate this [Fig 2b].

3. For the first verge unit to be installed at the eaves, the forward portion of the lower horizontal flange should be snipped off along the marked cut line [Fig 3].

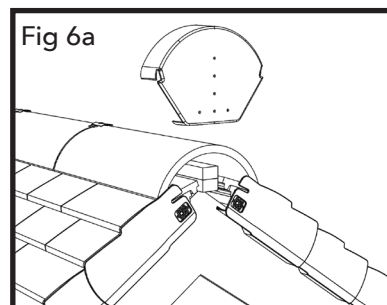
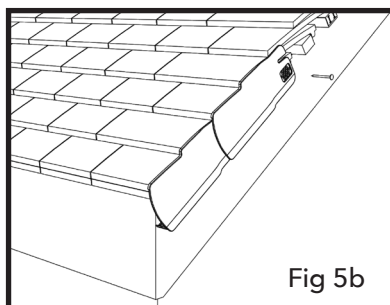


4. Insert the first verge unit onto the tiles with the lower horizontal flange below the eaves tile, and the upper horizontal flange between the eaves tile and the first full tile [Fig 4a]. Slide the verge unit down towards the eaves so that the Eaves Bracket is engaged into the slot between the face of the verge unit and the lower horizontal flange [Fig 4b].

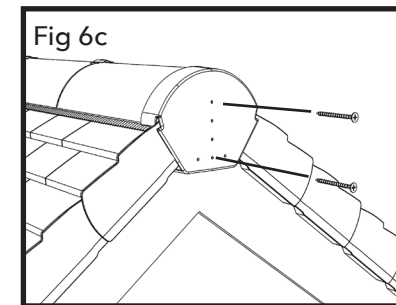
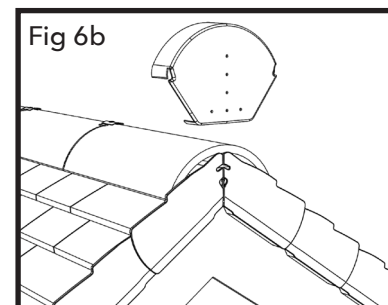
Once securely engaged, the verge unit can then be adjusted for best fit to the tile laps and nailed or screwed through one of the holes provided into the batten end. Where a batten end clip is used, the nail should penetrate one of the slots provided.



5. Subsequent verge units are fitted in the same way, inserting the horizontal flanges of the verge unit between tile courses with the forward end of the lower flange passing through the slot provided in the verge unit [Fig 5a], then sliding towards the eaves so that the fixed verge unit engages into the slot between the face of the verge unit and the lower horizontal flange. Adjust the position of the verge unit for best fit to the tile laps and fix into the tile batten [Fig 5b].



6. Continue installing subsequent verge units up to the ridge [Fig 6a]. Where an odd number of tile courses has been used, it may be necessary to mitre cut the ends of the verge units at the apex before fixing into the top tiling batten [Fig 6b]. The ridge end cap (code HD IPTDV/HR) should be fitted to the ridge tile*, engaging with the verge units and then fixed into the ridge battens, barge board or masonry through the blind holes using the two 65mm screws provided [Fig 6c].



*Alternatively, a block end ridge tile may be used to complete the installation, fitted in accordance with the tile manufacturer's recommendations. For roof pitches above 60° a block end ridge tile should be used.