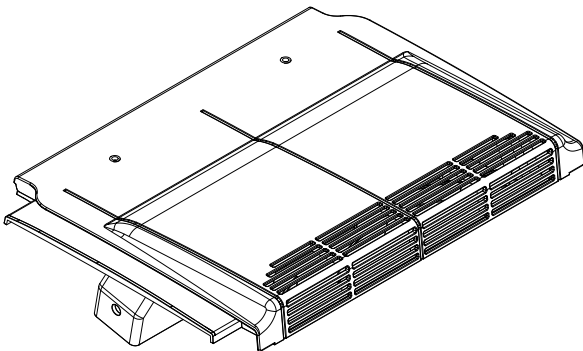
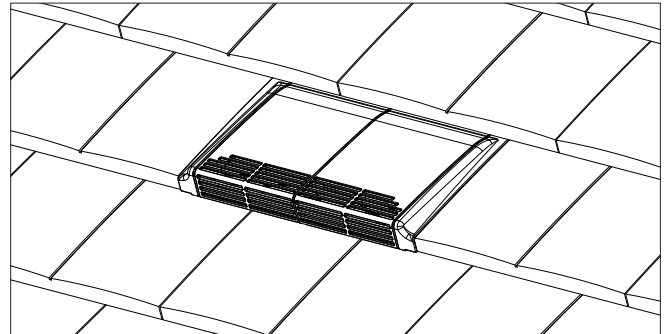


HD TV10/11

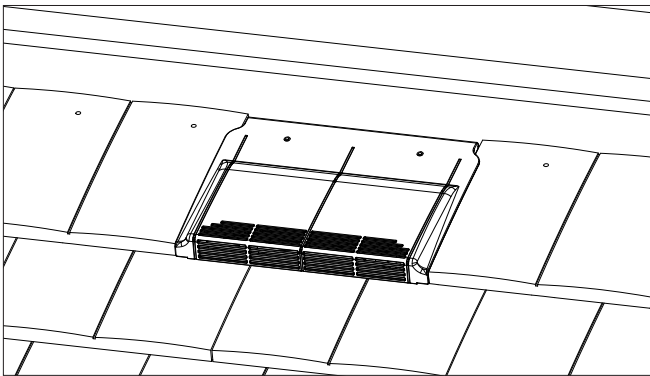


HD TV10/11 Installed



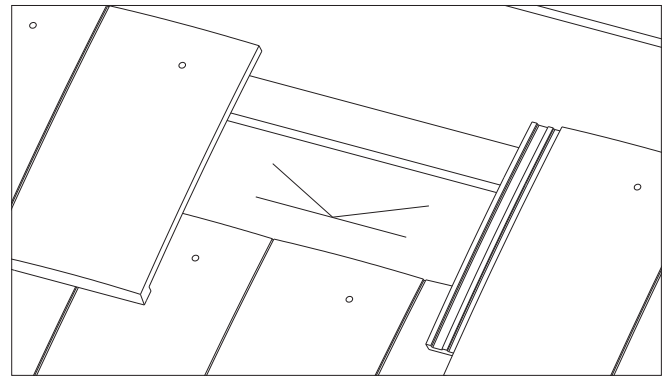
Installation Recommendations

Step 1



Locate the position of the ventilator in the roof, ensuring that the location is clear of the rafters below.

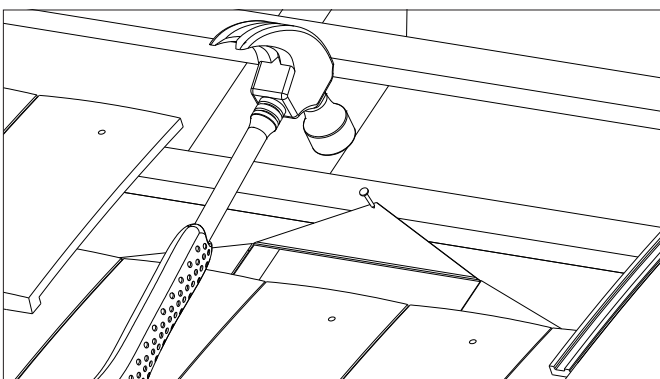
Step 2



Once the position of the ventilator has been determined, mark and cut the underlay in a V-shape to the size shown below.

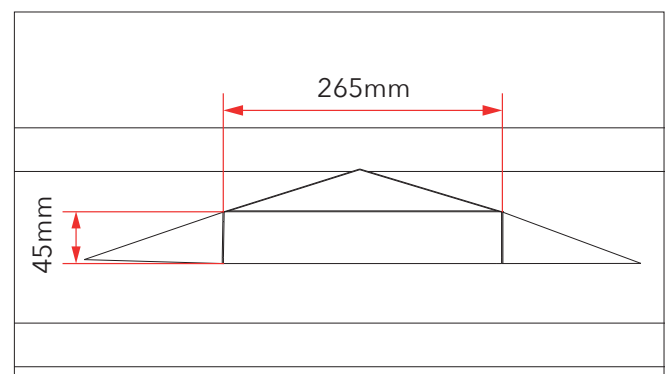
For a fully boarded roof, a corresponding hole should also be cut in the sarking board.

Step 3



The top and side underlay triangular shapes should be folded outward and underneath the ventilator. The top triangle should be pulled tightly and tacked to the batten above.

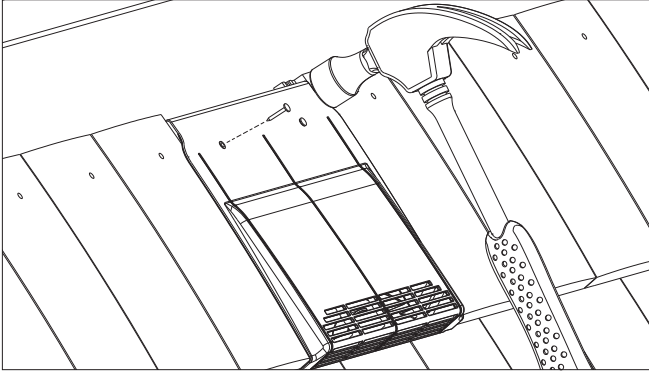
Underlay cutting



It is important that the cut forms a snug fit to the ventilator to deflect and prevent water and debris penetration through the underlay.

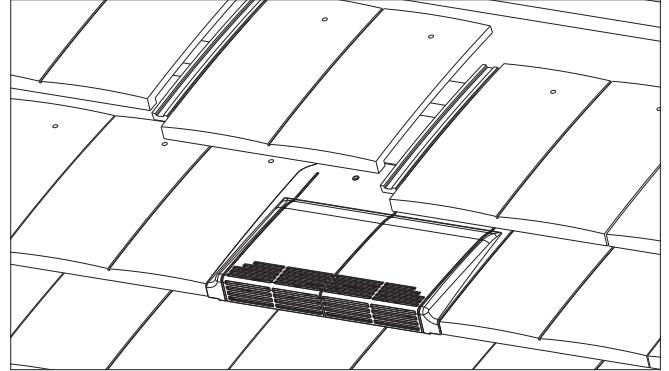


Step 4



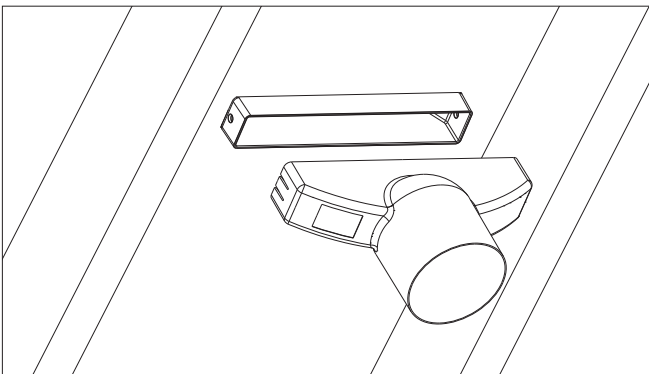
Position the ventilator with the spigot through the underlay cut and nail the ventilator to the batten through the holes in the top flange.

Step 5

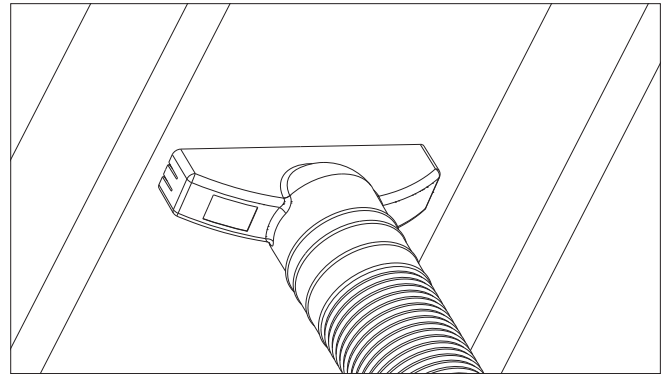


With the ventilator in position, tiling can be completed, leaving a discreet flush fitting installation.

Soil Pipe and Extractor Connection



The ventilator must be accessed from the underside. Fit the Pipe Adaptor (code: HD DPCA) over the spigot on the underside of the ventilator ensuring the adaptor clips onto the spigot securely



The adaptor can be supplied alone or with the Flexi Pipe connector attached as a kit (code: HD DPCSPA).