

### Installation Recommendations

#### Description

The underlay lap ventilator is designed for simple professional or DIY installation from the inside of cold pitched roofs where condensation is a problem.

It is designed to fit between the overlaps in the roofing underlay below the tiles or slates to introduce ventilation openings where there is no proper provision for roof space ventilation or existing ventilation air paths have been blocked, particularly when the loft insulation has been upgraded.

The shallow and tapered design of the panel suits all commonly encountered rafter spacings and allows for easy fitting between the roofing felt or underlay.

#### Installation

It is recommended that one ventilator panel is fitted between each rafter in the lowest underlay lap above the level of the insulation layer in the loft on both sides of the roof.

In cases of severe condensation or for large roofs where the distance between eaves exceeds 10m, or the roof pitch is steeper than 35°, then it is recommended that an additional row of ventilation panels be fitted into the highest line of roofing felt or underlay lap closest to the ridge on both sides of the roof.

The panels should be fully inserted with the two retaining tabs locating over the exposed edge of the roofing underlay.

After installation, the condensation levels should be monitored and if found to persist, then it is recommended that an additional row of ventilation panels be fitted between the next lowest roofing underlay overlap on both sides of the roof.



#### Production Information

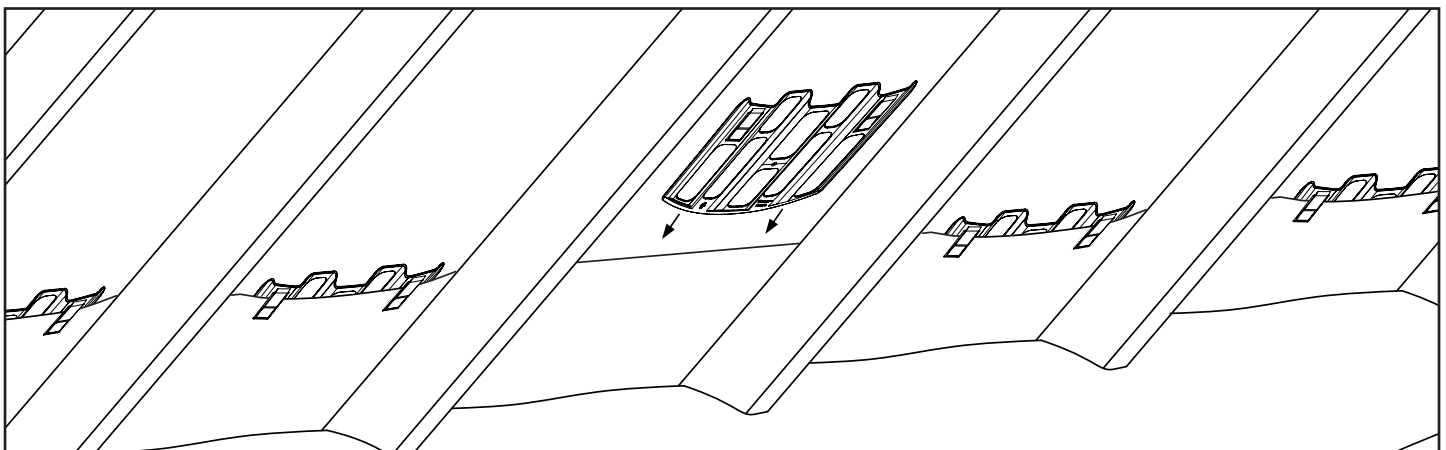
**Product Code:** HD ULV-B

**Material:** Polypropylene

**Airflow per panel:** 3,200mm<sup>2</sup>

#### Equivalent Airflow Area Openings Per Linear Metre

Rafter Centres	Ventilation Area
400mm	8000mm <sup>2</sup> minimum
450mm	7100mm <sup>2</sup> minimum
600mm	5300mm <sup>2</sup> minimum



**Note**  
This product is not designed to replace conventional roof ventilation openings or recommended for use in new construction work where adequate roof space ventilation should be provided in accordance with BS5250 Management of moisture in buildings. Code of practice.

The specifier or installer should ensure that the opening of the roofing underlay laps on the property will not adversely increase the wind uplift loading on the roof covering or the driving rain resistance of the roof; see BS5534 *Slating and tiling for pitched roofs and vertical cladding*. Code of practice.

