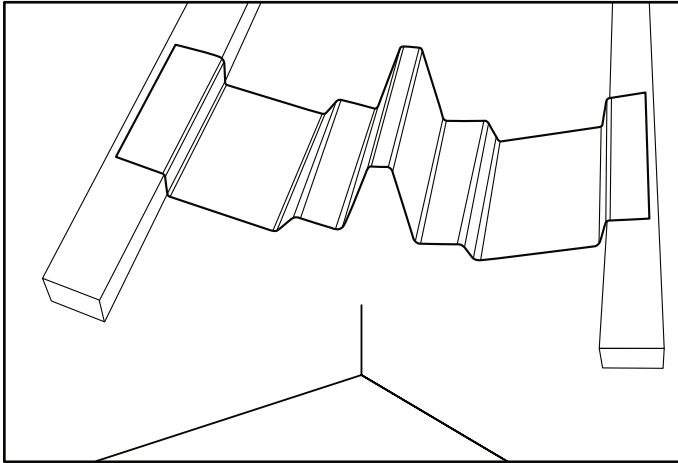


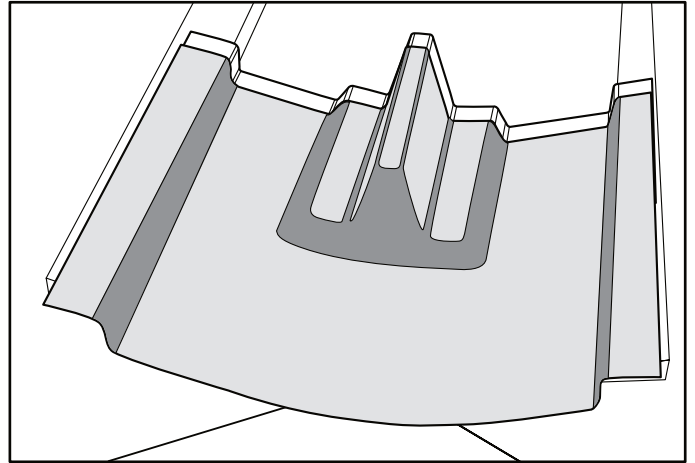
Installation Recommendations

1. Pre-cut a 150 to 200mm long GRP valley section to create a support. Nail the support cut in position as close to the eaves as possible supported by the valley boards and counterbattens.

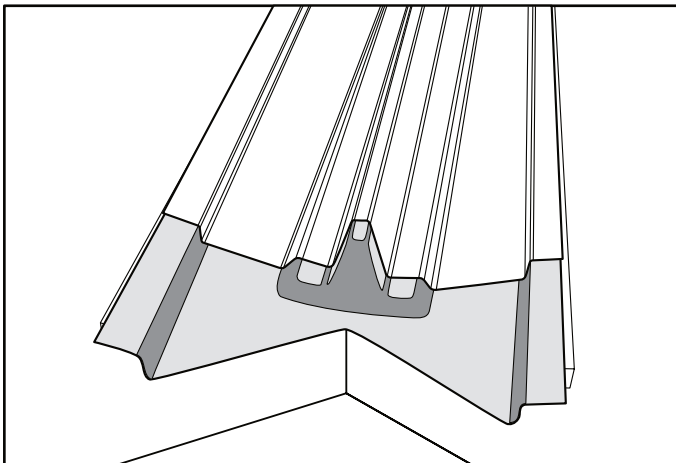


2. This short section provides a rigid form to support a lead or lead replacement type flexible flashing to be dressed to the GRP profile.

It should be sized to allow the flashing to discharge directly into the gutter.



3. The dry fix valley trough is then fixed in position over the support and flashing using large headed galvanised or aluminium nails into the counterbattens at 500mm centres maximum.



4. The dry fix valley troughs should be closely mitred together at the head or ridge. A saddle flashing can then be applied and moulded around the mitred valley trough sections.

A fully adhesive backed lead replacement type flashing is best suited for this detail.

