

CONTI-SOAKERS

30 YEAR GUARANTEE

The continuous GRP soakers provide a quick and efficient method of forming a secret gutter or weatherproof solution at the tile or slate roof side abutment junction.



FEATURES AND BENEFITS

- Quick and easy to install compared to alternative lead rolls or lead sheet that has to be formed in-situ
- Compared to other continuous soaker profiles, HDL CSTC allows tile verge clips to be used without complication or modification, and therefore facilitates their use with ease
- Thermally stable
- UV and acid rain resistant
- Lead alternative resulting in a reduced theft risk
- Creates no harmful run off into water courses
- Mortar bonding strip for tile roof application

APPLICATION

The range of GRP Conti-Soakers for tile and slate roofs are available in lipped and unlipped options. The lipped version is fixed directly into the wall, alternatively the unlipped version can be installed with a stepped or GRP cover flashing.

The Conti-Soaker for Scottish slate roofs is supplied unlipped and installed in the same way or terminated behind a render stop or bellcast drip.

The Conti-Soaker for use with tile verge clips is reduced in width to allow the use of a wide range of verge clip designs.

MATERIAL AND COLOUR

GRP and Anthracite

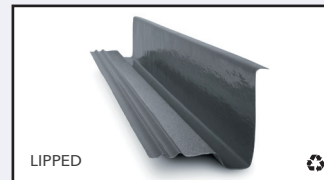
CERTIFICATION

BBA Certificate 87/1915

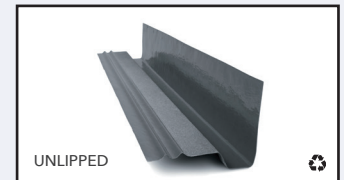


A Hambleside Danelaw Ltd product © All rights reserved

PRODUCT, CODE AND DIMENSIONS

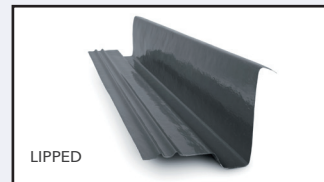


For tile roofs, code: HD CST-L
Dimensions: H150 x W170 x L3000mm

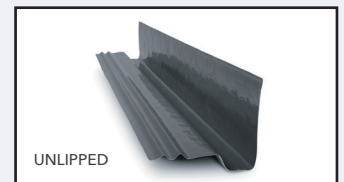


For tile roofs, code: HD CST
Dimensions: H140 x W170 x L3000mm

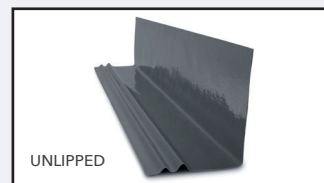
♻️ Contains recycled glass



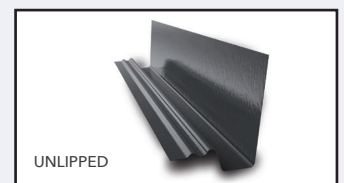
For slate roofs, code: HDL CSS-L
Dimensions: H150 x W170 x L3000mm



For slate roofs, code: HDL CSS
Dimensions: H140 x W170 x L3000mm





For Scottish slate roofs, code: HDL SCSS
Dimensions: H200 x W160 x L3000mm




For tile roofs using verge clips,
code: HDL CSTC
Dimensions: H140 x W120 x L3000mm

RELATED PRODUCTS

	<p>Individual Dry Soakers Create a weatherproof joint at abutments. Compatible with a wide range of flat tiles and slates, codes: HD MDS, RRS, RTS, SRRS, DTS, RCS, PCS, SS500 and SS600</p>
--	---

	<p>Fast Flash An environmentally friendly, lead-alternative flashing. Available in 3 colours of 5 metre rolls in 4 widths, codes: Fast Flash 140, 280, 370, 560</p>
--	--

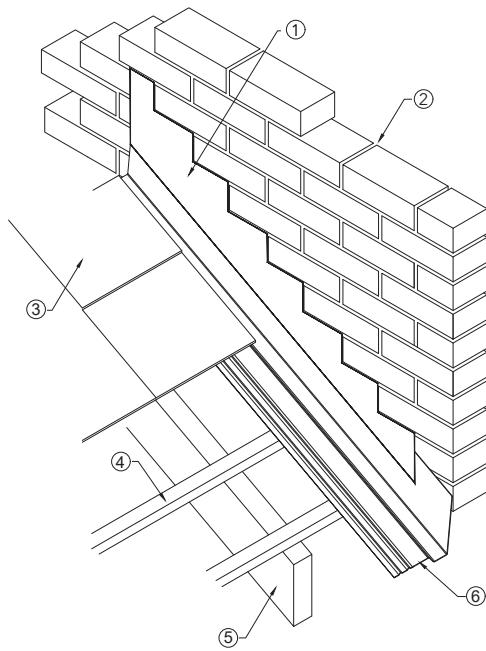
	<p>Low Resistance Vapour Permeable Tile & Slate Roofing Underlays Available in four weights, two with optional integral lap tapes and widths of 1.0m or 1.5m, codes: DLR120, DLR120TT, DLR135, DLR150, DLR150TT and DLR180</p>
--	---



CONTI-SOAKERS

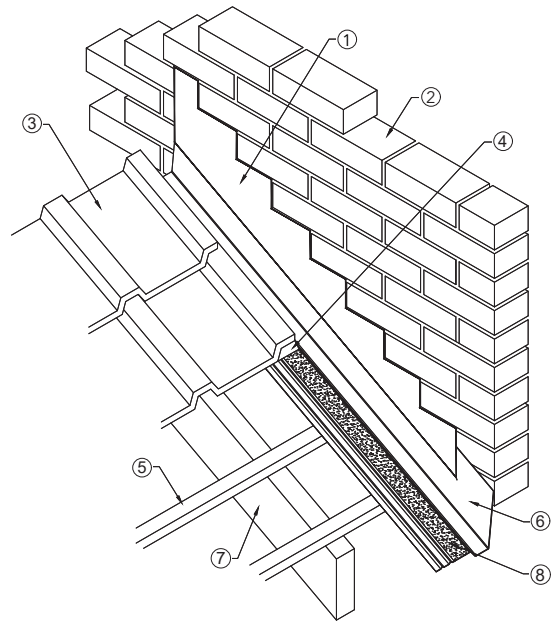
30 YEAR GUARANTEE

HDL CSS



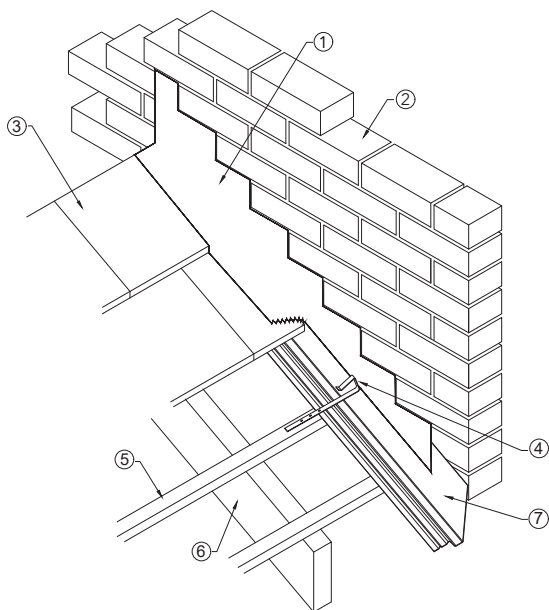
- ① Stepped or continuous flashing
- ② Abutment wall
- ③ Typical slate roof covering
- ④ Slating batten
- ⑤ Rafter
- ⑥ Continuous soaker for slates (unlipped version)

HDL CST



- ① Stepped or continuous cover flashing
- ② Abutment wall
- ③ Typical tile roof covering
- ④ Mortar bed
- ⑤ Tile batten
- ⑥ Continuous soaker for tile (unlipped version)
- ⑦ Rafter
- ⑧ Mortar bonding strip

HDL CSTC



- ① Step and cover flashing
- ② Abutment wall
- ③ Typical tile roof covering
- ④ Verge clip
- ⑤ Tile batten
- ⑥ Rafter
- ⑦ Continuous soaker for tile (no lipped version)

For full installation recommendations scan me!

